



Flexible and Simple Handling

The following features can be operated electronically using the control panel in the light head:

- On/off switching
- Ambient mode
- 10-step brightness control



Technical Specifications

	HyLED 600/600M
Central illuminance (at 1m distance)	130,000lux
Light field diameter(at 1m distance)	220mm
Depth of illumination (20%)	1,200mm
Depth of illumination (60%)	600mm
Color temperature	4,350K
Color rendering index (Ra)	96
Color rendering index (R9)	96
Service life of bulb	≥60,000h
Dimming range	5-100%
Light head dimension	540mm
Number of LED bulbs	18
Max. power consumption of all light sources	65w

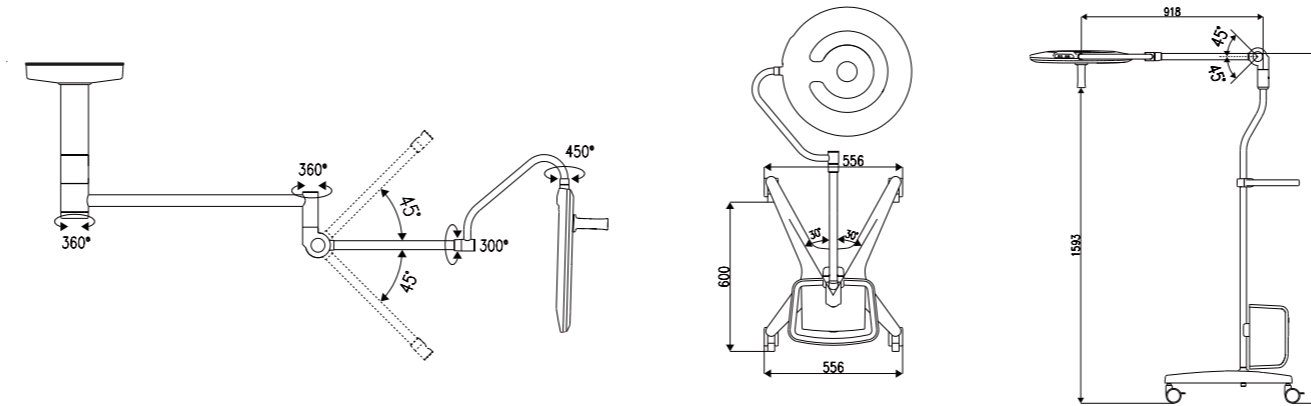
HyLED 600 Series LED Surgical Lights

HyLED 600M Mobile LED Surgical Light

HyLED 600M offers a surgical light solution for emergency OR and minor surgery:

Maximum flexibility
With the ultra-agile mobile base, four castors locking system and ergonomic handle design, HyLED 600M goes where you need with excellent performance.

Reliable battery
Power module supply can support up to 10 hours (normal state).



www.mindray.com

P/N:ENG-HyLED 600M-210285X6P-20200210
©2020 Shenzhen Mindray Bio-Medical Electronics Co.,Ltd. All rights reserved.

mindray
healthcare within reach



HyLED 600

LED Surgical Lights

Day surgery, which does not require an overnight hospital stay, become more and more popular due to the increasing maturity of noninvasive surgical techniques. Designed for day/minor surgery, HyLED 600 provides high quality illumination, with better tissue differentiation and natural color.

- 130,000 lux illuminance designed for day/minor surgery
- Better tissue differentiation with color rendering index(Ra & R9)at 96
- Ambient mode through separate control key
- Five-year warranty for LED bulb



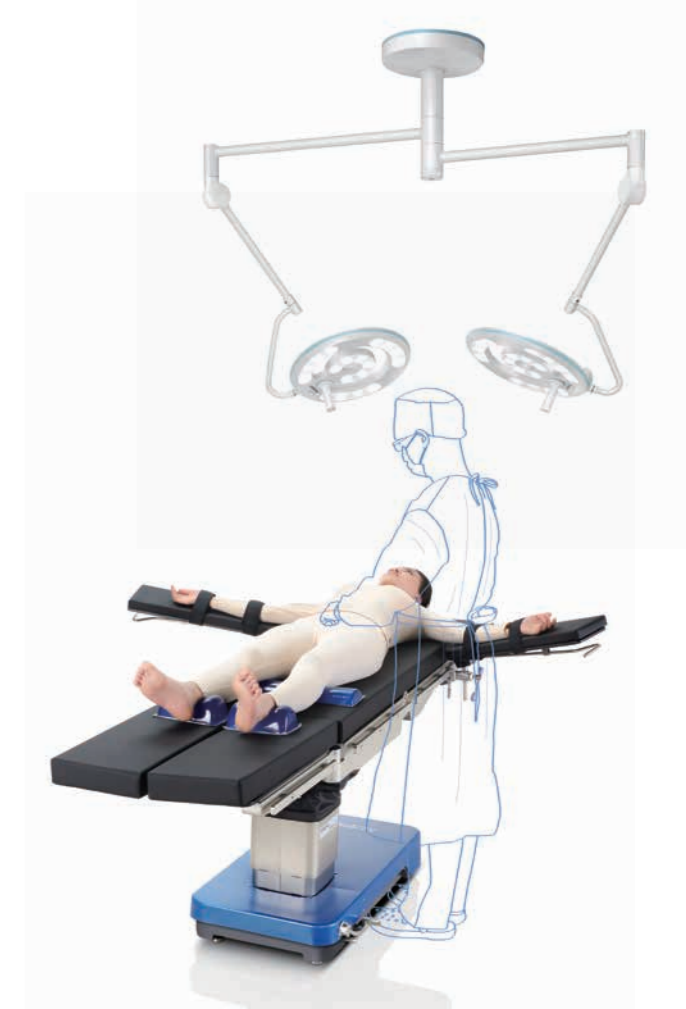
Plastic surgery

22cm light field diameter for superficial operation
Dual light head supporting
chin and brow surgery simultaneously



General surgery

130,000 lux intensity with 1200mm depth
Better tissue differentiation with color rendering index(Ra & R9)at 96



Endoscopic surgery

Ambient mode through separate control key
Slim & compact design for laminar flow concern



Obstetrics and Gynaecology

Easy light head positioning for the doctor while sitting or standing
Better shadow dilution 50% with tube two masks for vagina & NOTE surgery

