



Efficient & Economic  
Original & Unique

>>>>>>



**A New Generation Surgical Light**

HyLED 7 Series



## Efficient & Economic

- Incredible long service time up to 60,000 hours
- Central Illumination: 160,000 lux/130,000 lux
- Adjustable light field diameter
- Max. depth of illumination : 1,200 mm
- Low power consumption

## Original & Unique

- Perfectly integrated into laminar flow (Certified per DIN-1946 Part 4)
- Touch screen panel for easier control
- 330°rotatable integrated HD/FHD camera
- Ultra-thin design & excellent maneuverability
- Ergonomic and compact design less than 12kg



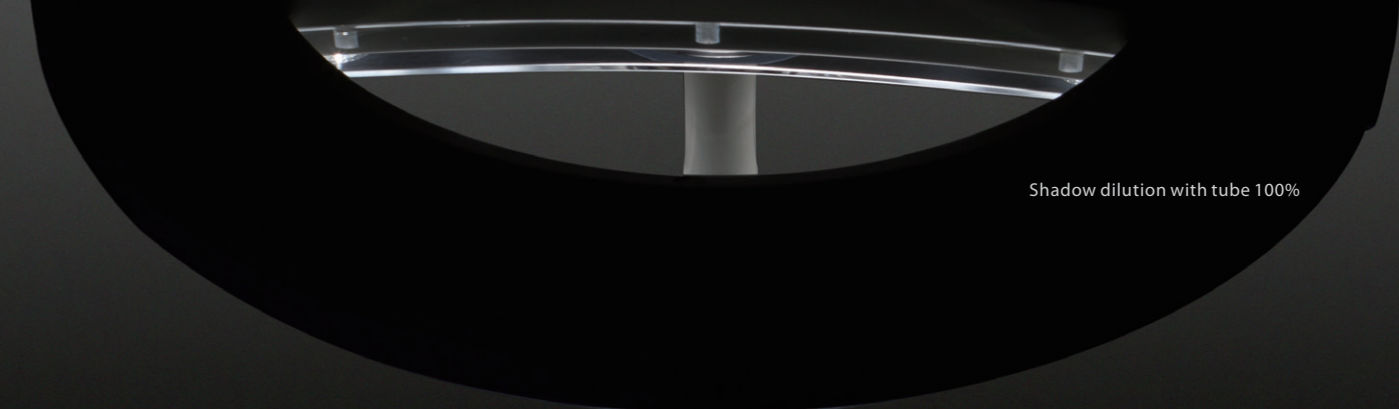
Five-year warranty for LED bulb

## High Performance

Incredible 60,000 hours service time  
Natural "cold light" with no infrared components.  
With a minimum lifetime of 60,000 hours, each latest generation LED illuminates far longer than traditional light sources .

Easier and less costly maintenance  
Each LED bulb with individual circuit can be replaced respectively, which will minimize the maintenance cost.

60,000 hours

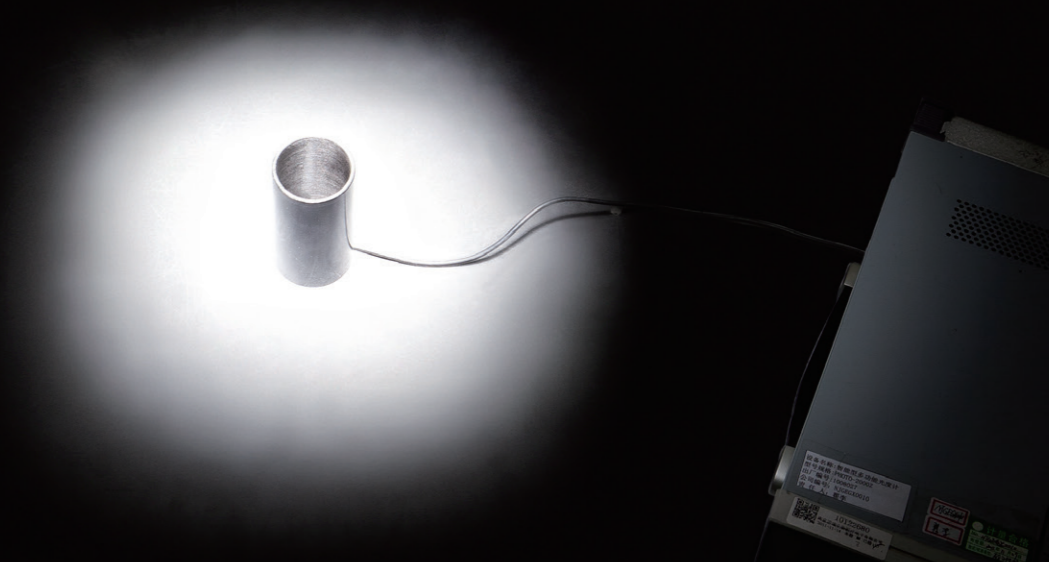


Shadow dilution with tube 100%

## Shadow-free

The HyLED 7 Series surgical light inherits the advanced technology from the HyLED 9 series and shows excellent shadow management function.

The professional shadow dilution experiment simulated extreme situations by using tubes and masks proved that Mindray HyLED 7 Series surgical light has sufficient illumination even in extreme situations.



Shadow dilution with one mask 75%



Shadow dilution with tube and one mask 70%



Shadow dilution with two masks 55%



Shadow dilution with tube and two masks 50%

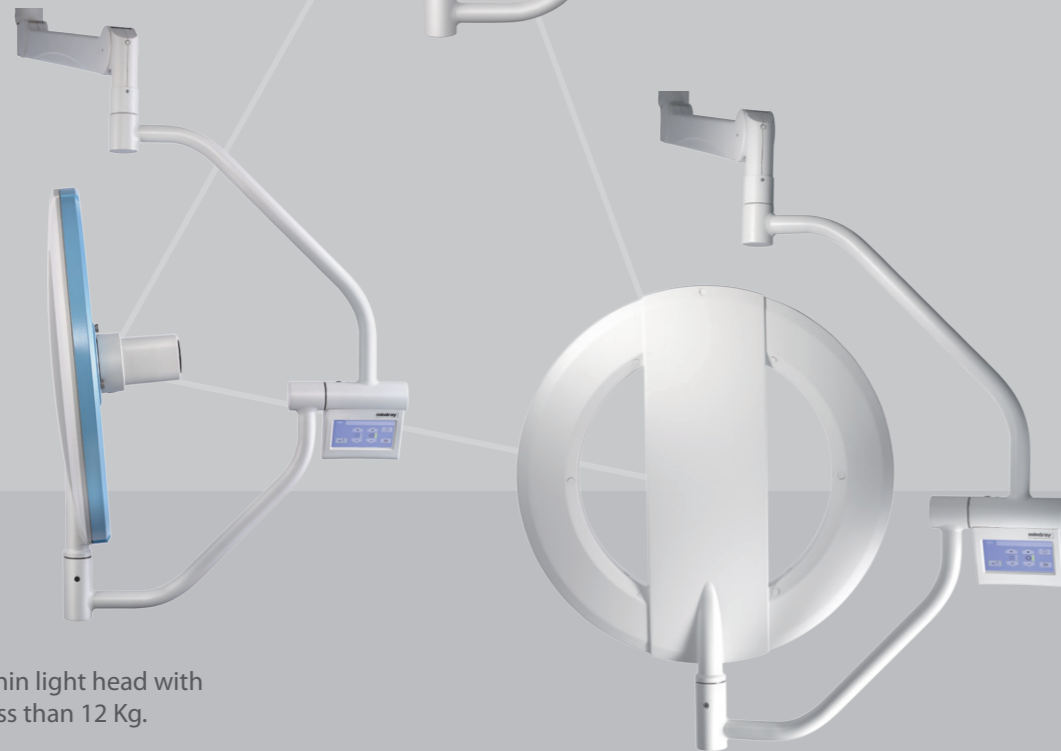
## Ergonomic and Compact Design Perfectly Integrated Into Laminar Flow

The ultra-thin concentrically circular design for better hygiene

Combined with an Ondal spring arm maximizes mobility and ensures stability.

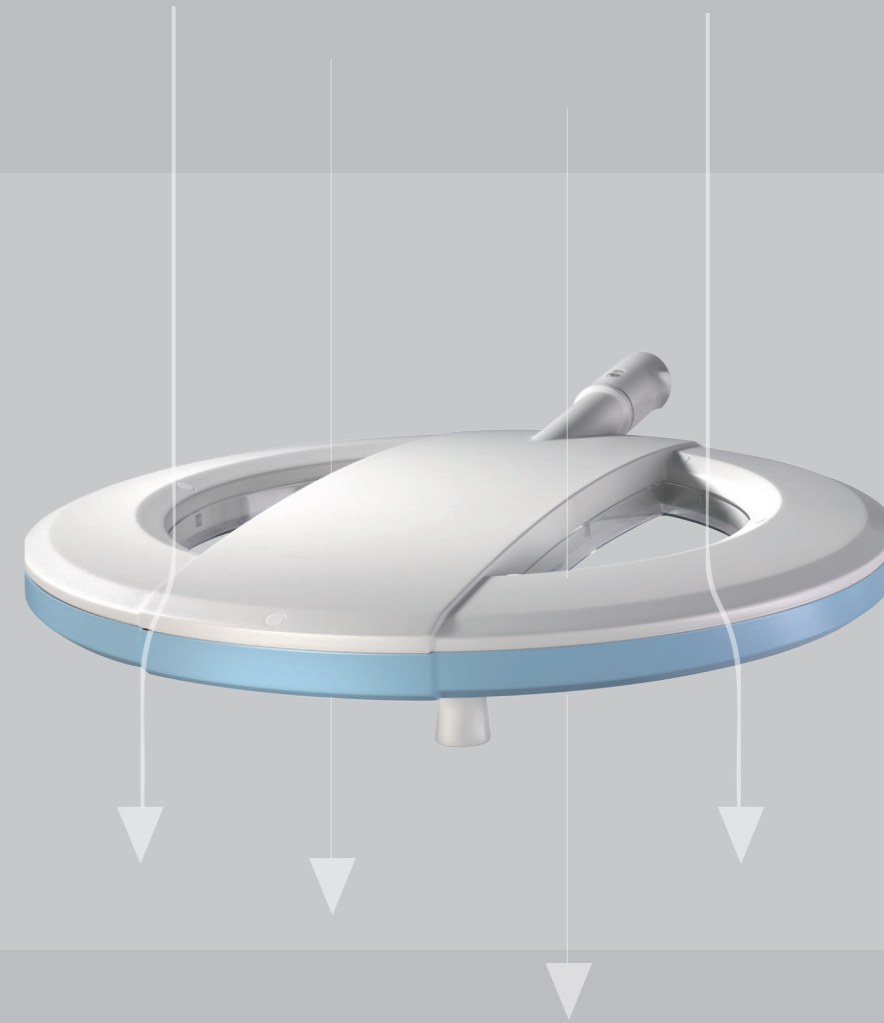


Original and unique double-hollow design.



Ultra-thin light head with only less than 12 Kg.

Smooth, metal back cover of the light head.



The design minimizes the turbulence, and allows better sterile conditions.

*DIN-1946 Part 4 certificated. (12-2008)*



## Camera System for Communication

The camera system provides better communication and documenting solutions.

The camera system integrated with the surgical lights also provides a platform for medical research purpose, teaching communication and video documenting.

Centrally-located standard definition camera with 330°



### Digital video recorder

- Supporting external USB storage device
- Supporting HDMI/YPbPr/HD-SDI/DVI-D/VGA input signal
- Default with camera control function
- Supporting video recording from other medical devices source



	HD Camera	Full-HD Camera
Picture Elements	2-Mega pixel	2-Mega pixel
Picture Quality	1080i (1920×1080)	1080p(1920×1080)
Lens	f=3.8-38mm, F1.8-3.4	f=3.8-38mm, F1.8-3.4
Optical Zoom	10×	10×
Digital Zoom	12x(120x with optical zoom)	12x(120x with optical zoom)
Video Output	Component, YPbPr	HD-SDI
Position	Carrier Arm Camera/Integrated Camera	Carrier Arm Camera/Integrated Camera

## Easy and Intuitive Control



### Touch screen panel (optional)

Several functions can be adjusted electronically through the touch screen panel:

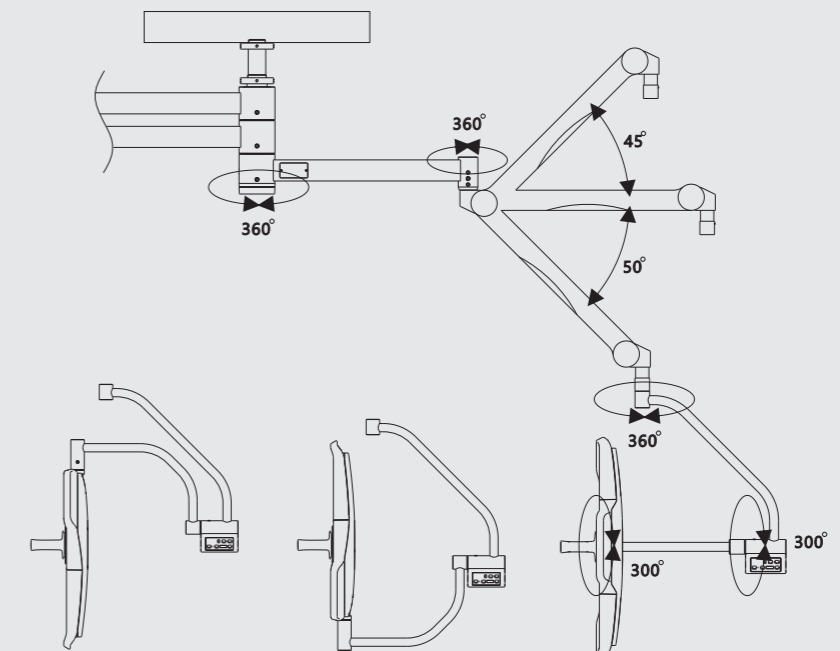
- Switch on/off
- Illumination intensity
- Light field diameter
- Ambient mode for endoscopy
- Cameral control

### Traditional control panel

- Wall control
- Remote controller for camera

## Technical Specifications

	HyLED 760	HyLED 730
Central illuminance(at 1m distance)	160,000 lux	130,000 lux
Light field diameter(at 1m distance)	180~300 mm	180~270 mm
Depth of illumination(L1+L2)	1,200 mm	1,200 mm
Correlated color temperature	4,350 K	4,350 K
Color rendering index(Ra)	96	96
Color rendering index(R9)	97	97
Shadow dilution with tube	100%	100%
Shadow dilution with one mask	75%	70%
Shadow dilution with tube and one mask	70%	65%
Shadow dilution with two masks	55%	55%
Shadow dilution with tube and two masks	50%	50%
Ambient illumination	8,000 lux	6,500 lux
Service life of bulb	>60,000 h	>60,000 h
Bulb power consumption	85 W	65 W
Power supply	100~240 VAC, 50/60 Hz	100~240 VAC, 50/60 Hz
Number of LED bulbs	32	24
Dimming range	5~100%	5~100%
Light head dimension	600 mm	600 mm
Integrated Camera	Optional	No
Carrier-arm Camera	Optional	Optional



# Mindray OR Total Solution

All the advanced and reliable facilities from Mindray technology are perfectly matched to customize your needs and provide total support.

